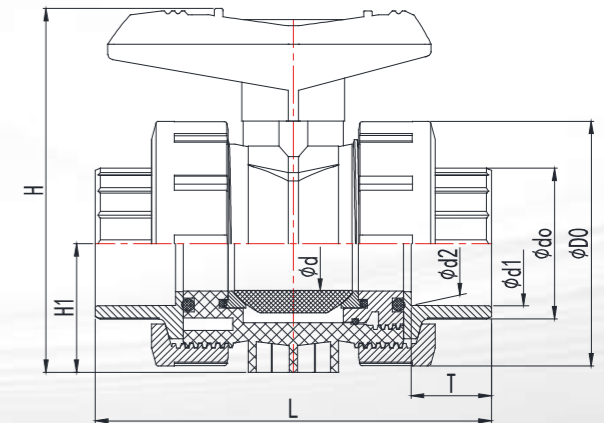


PVC-U/C SOCKET TRUE UNION BALL VALVE

插口式双由令球阀, PVC-U/C (国标, 美标, 日标)



产品介绍

阀门描述 Valve Description

1. 材质: PVC -U/C
Material: PVC -U/C
2. 尺寸: DN15-100 1/2" -4" 16A-100A
Size: DN15-100 1/2" -4" 16A-100A
3. 标准: 国标, 美标, 日标
Standard: DIN,ASTM,JIS,GB/T4219.2
4. 连接: 插口
Connection: socket
5. 颜色: 把手红色, 本体: 深灰
Color: handle red, body: dark gray

产品特性 Product Features

1. 开关扭力小
Small switch torque
2. 简单经济
Compact and economical
3. 材料经过纳米改性, 提高产品的耐压性及抗冲击性
The material is nano-modified to improve the pressure resistance and impact resistance of the product
4. 阀体加厚处理, 抗压性能高
Thickened valve body for high compression resistance
5. 阀门出厂 100% 压力测试
100% pressure test before delivery

阀门 VALVE

产品参数 (国标 GB/T 4219.2) SPECIFICATIONS (DIN, ISO, GB/T)

尺寸 Size DN(De)	外形尺寸 Dimensions (mm)								
	D0	d0	d1	d2	d	T	H1	H	L
15(20)	51.50	27.40	20.30	19.95	15.50	17.00	26.30	82.80	95.50
20(25)	59.00	32.70	25.30	24.95	20.50	19.50	30.60	92.80	109.10
25(32)	70.00	41.30	32.30	31.90	26.00	23.00	39.10	109.20	122.60
32(40)	85.40	49.60	40.35	39.90	33.00	27.00	44.20	131.80	147.30
40(50)	98.90	60.20	50.35	49.90	39.00	32.00	52.20	143.20	158.80
50(63)	122.20	76.00	63.40	62.90	51.00	38.50	71.30	175.70	182.80
65(75)	158.60	89.60	75.40	74.90	64.00	44.50	82.80	231.50	234.00
80(90)	192.10	105.40	90.50	89.90	81.00	52.00	99.30	260.60	255.00
100(110)	223.60	128.40	110.60	109.90	99.00	62.00	115.20	292.10	297.00

产品参数 (美标 SCH80) SPECIFICATIONS (ASTM SCH80)

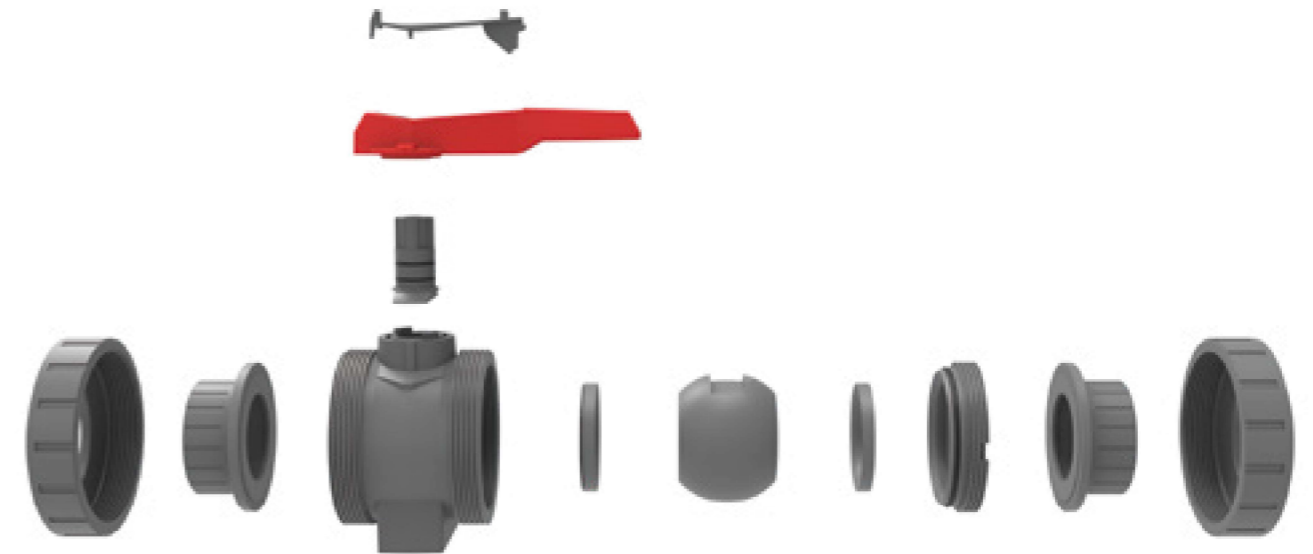
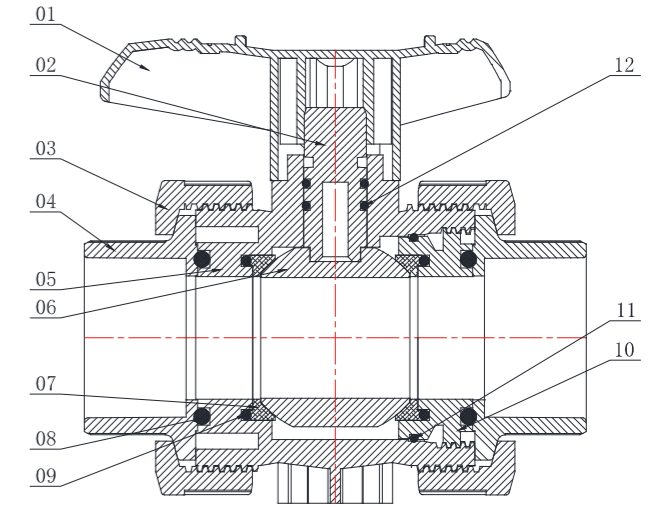
尺寸 Size (*")	外形尺寸 Dimensions (mm)								
	D0	d0	d1	d2	d	H1	H	T	L
1/2"	51.50	27.40	21.54	21.23	15.50	26.30	82.80	23.22	107.90
3/4"	59.00	32.70	26.87	26.57	20.50	30.60	92.80	26.40	122.90
1"	70.00	41.30	33.66	33.27	26.00	39.10	109.20	29.57	135.70
1-1/4"	85.40	49.60	42.42	42.04	33.00	44.20	131.80	32.75	158.80
1-1/2"	98.90	60.20	48.56	48.11	39.00	52.20	143.20	32.00	166.80
2"	122.20	76.00	60.63	60.17	51.00	71.30	175.70	39.10	182.80
2-1/2"	158.60	89.60	73.38	72.85	64.00	82.80	231.50	44.50	236.00
3"	192.10	105.40	89.31	88.70	81.00	99.30	260.60	48.60	249.00
4"	223.60	128.40	114.76	114.07	99.00	115.20	292.10	58.15	289.00

产品参数 (日标) SPECIFICATIONS (JIS)

尺寸 Size A	外形尺寸 Dimensions (mm)								
	D0	d0	d1	d2	d	H1	H	T	L
16	51.50	30.50	22.40	21.60	15.50	26.30	82.80	30.00	121.80
20	59.00	34.11	26.45	25.51	20.50	30.60	92.80	35.00	140.60
25	70.00	41.30	32.66	31.50	26.00	39.10	109.20	40.00	157.10
30	85.40	48.16	38.60	37.43	33.00	44.20	131.80	44.00	184.00
40	98.90	59.10	48.85	47.38	39.00	52.20	143.20	55.00	207.20
50	122.20	72.10	61.00	59.27	51.00	71.30	175.70	63.00	235.00
65	158.60	89.23	77.10	75.73	64.00	82.80	231.50	63.00	273.00
75	192.10	105.33	89.60	88.58	81.00	99.30	260.60	64.00	279.00
100	223.60	133.07	114.70	113.55	99.00	115.20	292.10	84.00	342.60

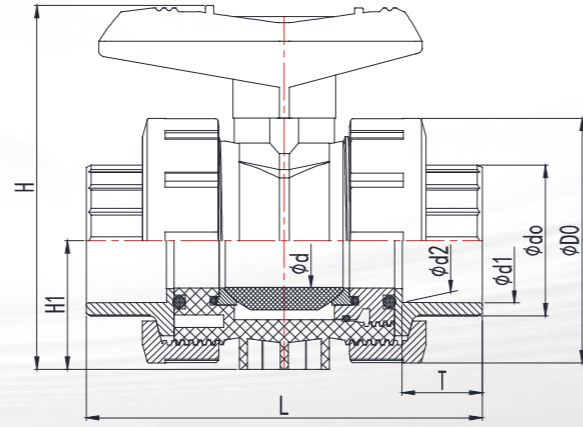
配件明细 PARTS LIST

序号 NO.	名称 Name	数量 Quantity	材料 Material
01	手柄 Lever	1	PVC-U/PP+GF30
02	连接杆 Shaft	1	PVC-U/C
03	螺帽 Nut	2	PVC-U/C
04	承口 Faucet	2	PVC-U/C
05	阀体 Body	1	PVC-U/C
06	球心 Ball	1	PVC-U/C
07	止泻圈 Ball Seat	2	PTFE
08	O型圈 1 O-ring1	2	EPDM/FPM
09	O型圈 2 O-ring2	2	EPDM/FPM
10	调节单盖 Seal Carrier	1	PVC-U/C
11	O型圈 3 O-ring3	1	EPDM/FPM
12	O型圈 4 O-ring4	2	EPDM/FPM



PVC-U/C THREADED TRUE UNION BALL VALVE

丝口式双由令球阀, PVC-U/C (国标, 美标, 日标)



产品介绍

阀门描述 Valve Description

1. 材质: PVC -U/C
Material: PVC -U/C
2. 尺寸: DN15-100 1/2" -4" 16A-100A
Size: DN15-100 1/2" -4" 16A-100A
3. 标准: 国标, 美标, 日标
Standard: DIN, ASTM, JIS, GB/T4219.2
4. 连接: 丝口
Connection: Threaded connection
5. 颜色: 把手红色, 本体深灰
Color: handle red, body dark gray

产品特性 Product Features

1. 开关扭力小
Small switch torque
2. 简单经济
Compact and economical
3. 材料经过纳米改性, 提高产品的耐压性及抗冲击性
The material is nano-modified to improve the pressure resistance and impact resistance of the product
4. 阀体加厚处理, 抗压性能高
Thickened valve body for high compression resistance
5. 阀门出厂 100% 压力测试
100% pressure test before delivery

产品参数 (国标 GB/T 4219.2) SPECIFICATIONS (DIN, ISO, GB/T)

尺寸 Size DN(De)	外形尺寸 Dimensions (mm)									
	D0	d0	d3	d	H1	H	T	L	Tr 螺纹 PT	
15(20)	51.50	30.43	16.00	15.50	26.30	82.80	17.00	95.50	1/2"	
20(25)	59.00	36.30	20.60	20.50	30.60	92.80	19.50	109.10	3/4"	
25(32)	70.00	44.61	26.00	26.00	39.10	109.20	23.00	122.60	1"	
32(40)	85.40	53.87	33.00	33.00	44.20	131.80	27.00	147.30	1-1/4"	
40(50)	98.90	61.12	39.00	39.00	52.20	143.20	32.00	158.80	1-1/2"	
50(63)	122.20	73.83	51.00	51.00	71.30	175.70	38.50	182.80	2"	
65(75)	158.60	87.71	64.00	64.00	82.80	231.50	44.50	234.00	2-1/2"	
80(90)	192.10	106.81	81.00	81.00	99.30	260.60	52.00	255.00	3"	
100(110)	223.60	133.46	99.00	99.00	115.20	292.10	62.00	297.00	4"	

产品参数 (美标 SCH80) SPECIFICATIONS (ASTM SCH80)

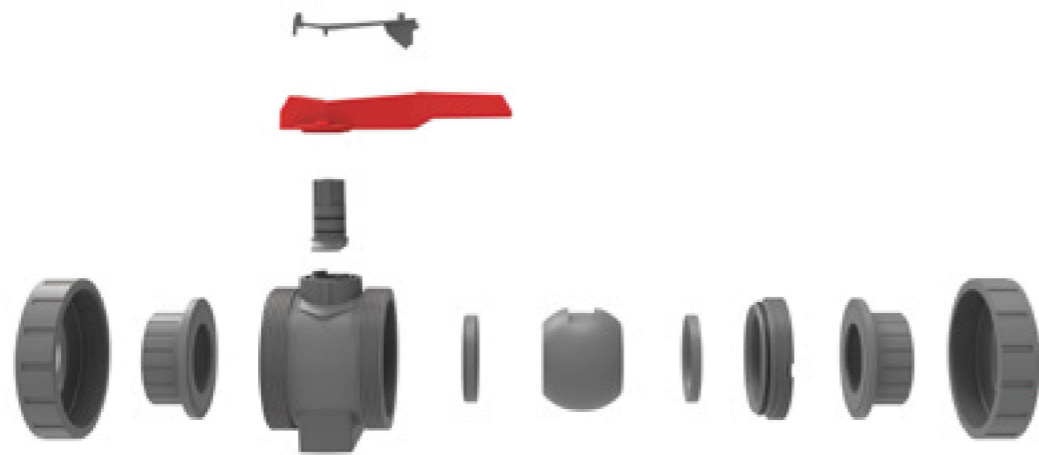
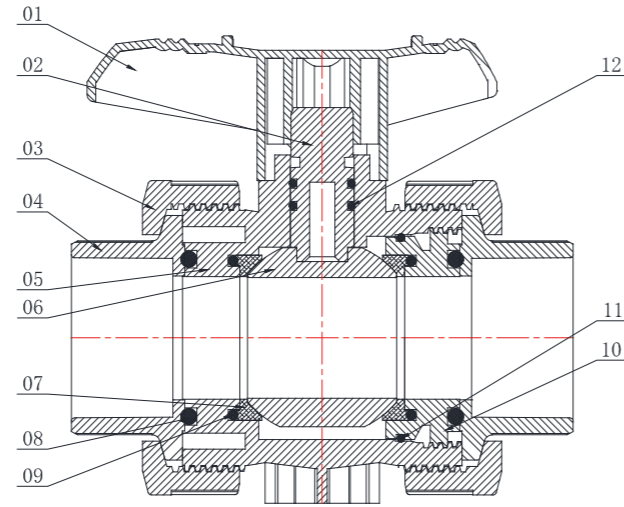
尺寸 Size (")	外形尺寸 Dimensions (mm)										
	D0	d0	d1	d2	d3	d	H1	H	T	L	Tr 螺纹 NPT
1/2"	51.50	30.43	20.95	18.63	16.00	15.50	26.30	82.80	17.00	95.50	1/2"
3/4"	59.00	36.30	26.44	24.12	20.60	20.50	30.60	92.80	19.50	109.10	3/4"
1"	70.00	44.61	33.25	30.29	26.00	26.00	39.10	109.20	23.00	122.60	1"
1-1/4"	85.40	53.87	41.91	38.95	33.00	33.00	44.20	131.80	27.00	147.30	1-1/4"
1-1/2"	98.90	61.12	47.80	44.85	39.00	39.00	52.20	143.20	32.00	158.80	1-1/2"
2"	122.20	73.83	59.61	56.66	51.00	51.00	71.30	175.70	38.50	182.80	2"
2-1/2"	158.60	87.71	75.18	74.23	64.00	64.00	82.80	231.50	44.50	234.00	2-1/2"
3"	192.10	106.81	87.88	84.93	81.00	81.00	99.30	260.60	52.00	255.00	3"
4"	223.60	133.46	113.03	110.07	99.00	99.00	115.20	292.10	62.00	297.00	4"

产品参数 (日标) SPECIFICATIONS (JIS)

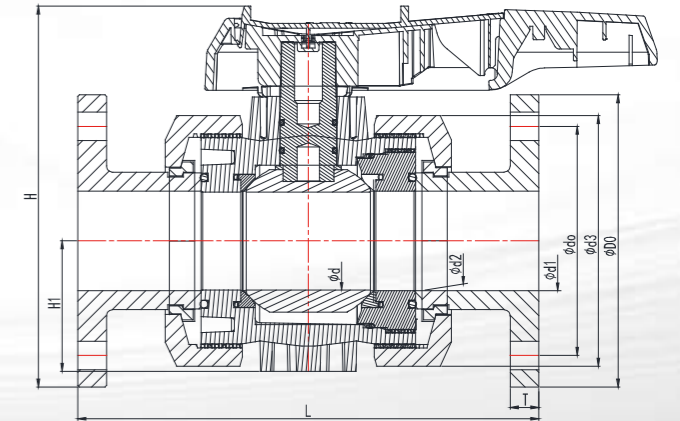
尺寸 Size A	外形尺寸 Dimensions (mm)										
	D0	d0	d1	d2	d3	d	H1	H	T	L	Tr 螺纹
16	51.50	30.43	20.95	18.63	16.00	15.50	26.30	82.80	17.00	95.50	1/2"
20	59.00	36.30	26.44	24.12	20.60	20.50	30.60	92.80	19.50	109.10	3/4"
25	70.00	44.61	33.25	30.29	26.00	26.00	39.10	109.20	23.00	122.60	1"
30	85.40	53.87	41.91	38.95	33.00	33.00	44.20	131.80	27.00	147.30	1-1/4"
40	98.90	61.12	47.80	44.85	39.00	39.00	52.20	143.20	32.00	158.80	1-1/2"
50	122.20	73.83	59.61	56.66	51.00	51.00	71.30	175.70	38.50	182.80	2"
65	158.60	87.71	75.18	74.23	64.00	64.00	82.80	231.50	44.50	234.00	2-1/2"
75	192.10	106.81	87.88	84.93	81.00	81.00	99.30	260.60	52.00	255.00	3"
100	223.60	133.46	113.03	110.07	99.00	99.00	115.20	292.10	62.00	297.00	4"

配件明细 PARTS LIST

序号 NO.	名称 Name	数量 Quantity	材料 Material
01	手柄 Lever	1	PVC-U/PP+GF30
02	连接杆 Shaft	1	PVC-U/C
03	螺帽 Nut	2	PVC-U/C
04	承口 Faucet	2	PVC-U/C
05	阀体 Body	1	PVC-U/C
06	球心 Ball	1	PVC-U/C
07	止泻圈 Ball Seat	2	PTFE
08	O型圈 1 O-ring1	2	EPDM/FPM
09	O型圈 2 O-ring2	2	EPDM/FPM
10	调节单盖 Seal Carrier	1	PVC-U/C
11	O型圈 3 O-ring3	1	EPDM/FPM
12	O型圈 4 O-ring4	2	EPDM/FPM



PVC-U/C
FLANGED TRUE UNION BALL VALVE
法兰式双由令球阀, PVC-U/C (国标, 美标, 日标)



产品介绍

阀门描述
Valve Description

1. 材质: PVC-U/C
Material: PVC-U/C
2. 尺寸: DN15-100, 1/2"~4, 16A~100A
Size: DN15-100, 1/2"~4, 16A~100A
3. 标准: 国标, 美标 ASTM, 日标 JIS
Standard: DIN, ASTM, JIS, GB/T4219.2
4. 连接: 法兰
Connection: Flanged connection
5. 颜色: 把手红色, 本体: 深灰
Color: handle red, body: dark gray

产品特性
Product Features

1. 开关扭力小
Small switch torque
2. 简单经济
Compact and economical
3. 材料经过纳米改性, 提高产品的耐压性及抗冲击性
The material is nano-modified to improve the pressure resistance and impact resistance of the product
4. 阀体加厚处理, 抗压性能高
Thickened valve body for high compression resistance
5. 阀门出厂 100% 压力测试
100% pressure test before delivery

EXPERT IN PIPING SYSTEM

管路系统的专家级工厂



产品参数 (国标 GB/T 4219.2) SPECIFICATIONS (DIN, ISO, GB/T)

尺寸 Size DN(De)	外形尺寸 Dimensions (mm)												
	D0	d0	d1	d2	d3	d	H1	H	T	L	法兰中心距 Center distance	法兰孔径 Diameter	法兰孔数量 Number of holes
15(20)	95.00	65.00	20.30	19.95	51.50	15.50	26.30	103.90	13.00	143.00	65.00	14.00	4
20(25)	105.00	75.00	25.30	24.95	59.00	20.50	30.60	114.66	14.00	172.00	75.00	14.00	4
25(32)	115.00	85.00	32.30	31.90	70.00	26.00	39.10	127.56	15.00	187.00	85.00	14.00	4
32(40)	140.00	100.00	40.35	39.90	85.40	33.00	44.20	157.51	15.00	190.00	100.00	16.00	4
40(50)	150.00	110.00	50.35	49.90	98.90	39.00	52.20	166.00	17.00	212.00	110.00	16.00	4
50(63)	165.00	125.00	63.40	62.90	122.20	51.00	71.30	197.50	17.00	234.00	125.00	19.00	4
65(75)	185.00	145.00	75.40	74.90	158.60	64.00	82.80	241.20	18.00	290.00	145.00	19.00	4
80(90)	200.00	160.00	90.50	89.90	192.10	81.00	99.30	261.20	18.00	310.00	160.00	19.00	8
100(110)	220.00	180.00	110.60	109.90	223.60	99.00	115.20	286.68	18.00	372.00	180.00	19.00	8

产品参数 (美标 SCH80) SPECIFICATIONS (ASTM SCH80)

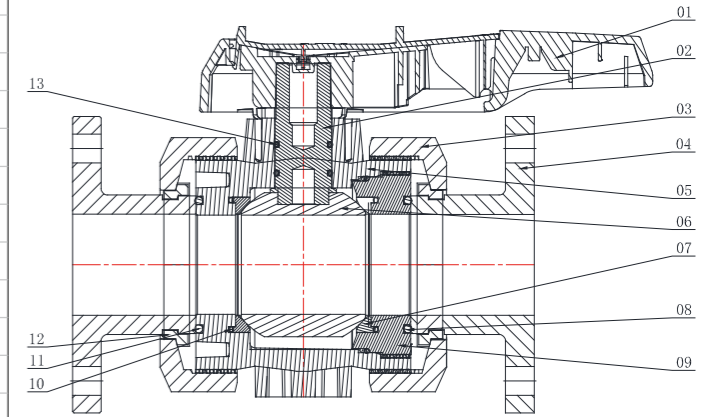
尺寸 Size DN(De)	外形尺寸 Dimensions (mm)												
	D0	d0	d1	d2	d3	d	H1	H	T	L	法兰中心距 Center distance	法兰孔径 Diameter	法兰孔数量 Number of holes
1/2"	89.00	60.30	20.30	19.95	51.50	15.50	26.30	103.90	13.00	143.00	60.33	16.00	4
3/4"	89.00	69.85	25.30	24.95	59.00	20.50	30.60	114.66	14.00	172.00	69.85	16.00	4
1"	108.00	79.38	32.30	31.90	70.00	26.00	39.10	127.56	15.00	187.00	79.38	16.00	4
1-1/4"	117.00	88.90	40.35	39.90	85.40	33.00	44.20	157.51	15.00	190.00	88.90	18.00	4
1-1/2"	127.00	98.43	50.35	49.90	98.90	39.00	52.20	166.00	17.00	212.00	98.43	18.00	4
2"	152.00	120.65	63.40	62.90	122.20	51.00	71.30	197.50	17.00	234.00	120.65	18.00	4
2-1/2"	178.00	139.70	75.40	74.90	158.60	64.00	82.80	241.20	18.00	290.00	139.70	18.00	4
3"	191.00	152.40	90.50	89.90	192.10	81.00	99.30	261.20	18.00	310.00	152.40	18.00	4
4"	229.00	190.50	110.60	109.90	223.60	99.00	115.20	286.68	18.00	372.00	190.50	18.00	8

产品参数 (日标) SPECIFICATIONS (JIS)

尺寸 Size DN(De)	外形尺寸 Dimensions (mm)												
	D0	d0	d1	d2	d3	d	H1	H	T	L	法兰中心距 Center distance	法兰孔径 Diameter	法兰孔数量 Number of holes
16A	95.00	70.00	22.40	19.95	51.50	15.00	26.30	103.90	15.00	145.00	70.00	15.00	4
20A	100.00	75.00	26.45	24.95	59.00	20.00	30.60	114.66	15.00	175.00	75.00	15.00	4
25A	125.00	90.00	32.55	31.90	70.00	25.00	39.10	127.56	15.00	190.00	90.00	19.00	4
30A	135.00	100.00	38.60	39.90	85.40	30.00	44.20	157.51	16.00	195.00	100.00	19.00	4
40A	140.00	105.00	48.70	49.90	98.90	40.00	52.20	166.00	17.00	220.00	105.00	19.00	4
50A	155.00	120.00	60.80	62.90	122.20	50.00	71.30	197.50	21.00	234.00	120.00	19.00	4
65A	175.00	140.00	76.80	74.90	158.60	63.00	82.80	241.20	22.00	300.00	140.00	19.00	4
75A	185.00	150.00	89.60	89.90	192.10	80.00	99.30	261.20	22.00	320.00	150.00	19.00	8
100A	210.00	175.00	114.70	109.90	223.60	100.00	115.20	286.68	22.00	387.00	175.00	19.00	8

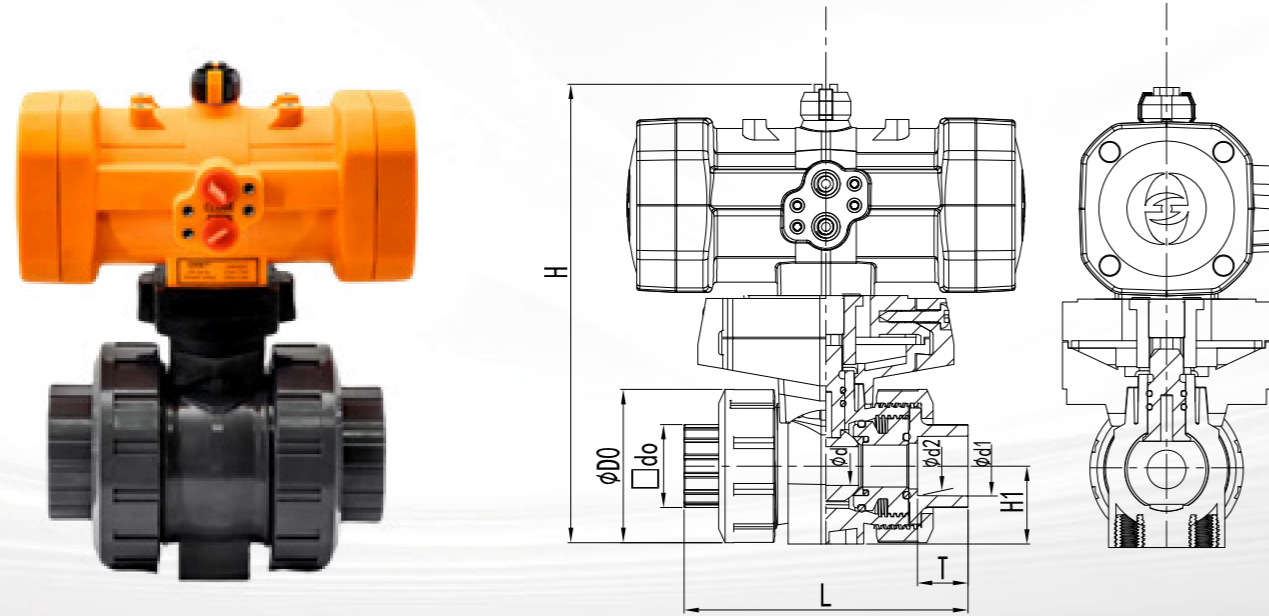
配件明细 PARTS LIST

序号 NO.	名称 Name	数量 Quantity	材料 Material
01	手柄 Lever	1	PVC-U/PP+GF30
02	连接杆 Shaft	1	PVC-U/C
03	螺帽 Nut	2	PVC-U/C
04	法兰头 Flange	2	PVC-U/C
05	阀体 Body	1	PVC-U/C
06	球心 Ball	1	PVC-U/C
07	止泻圈 Ball Seat	2	PTFE
08	O型圈 1 O-ring1	2	EPDM/FPM
09	调节单盖 Seal Carrier	1	PVC-U/C
10	O型圈 2 O-ring2	2	EPDM/FPM
11	O型圈 3 O-ring3	1	EPDM/FPM
12	固定卡环 Fixed snap ring	2	PVC-U/C
13	O型圈 4 O-ring4	2	EPDM/FPM



PVC-U/C PNEUMATIC SOCKET TRUE UNION BALL VALVE

气动插口式双由令球阀, PVC-U/C (国标, 美标, 日标)



产品介绍

阀门描述 Valve Description

1. 材质: PVC -U/C
Material: PVC -U/C
2. 尺寸: DN15-100 1/2" -4" 16A-100A
Size: DN15-100 1/2" -4" 16A-100A
3. 标准: 国标, 美标, 日标
Standard: DIN, ASTM, JIS, GB/T4219.2
4. 连接: 插口
Connection: socket
5. 颜色: 本体: 灰
Color: body: gray
6. 全塑气动执行器耐腐蚀
Whole plastic actuator shell for better corrosion resistance

产品特性 Product Features

1. 开关扭力小
Small switch torque
2. 部件可更换, 简单经济
Replaceable parts, compact and economical
3. 材料经过纳米改性, 提高产品的耐压性及抗冲击性
The material is nano-modified to improve the pressure resistance and impact resistance of the product
4. 阀体加厚处理, 抗压性能高
Thickened valve body for high compression resistance
5. 阀门出厂 100% 压力测试
100% pressure test before delivery
6. 执行器进行 300 万次开启关闭试验
Actuator passed 3000,000 opening and closing tests
7. 可以选配单作用执行器及各种电磁阀, 回讯位置开关
Optional single-acting actuator and various solenoid valves, position monitoring switch

产品参数 (国标 GB/T 4219.2) SPECIFICATIONS (DIN, ISO, GB/T)

尺寸 Size DN(De)	外形尺寸 Dimensions (mm)								
	D0	d0	d1	d2	d	H1	H	T	L
15(20)	51.50	27.40	20.30	19.95	15.50	26.30	156.50	17.00	95.50
20(25)	59.00	32.70	25.30	24.95	20.50	30.60	194.00	19.50	109.10
25(32)	70.00	41.30	32.30	31.90	26.00	39.10	210.00	23.00	122.60
32(40)	85.40	49.60	40.35	39.90	33.00	44.20	243.40	27.00	147.30
40(50)	98.90	60.20	50.35	49.90	39.00	52.20	268.90	32.00	158.80
50(63)	122.20	76.00	63.40	62.90	51.00	71.30	301.20	38.50	182.80
65(75)	158.60	89.60	75.40	74.90	64.00	82.80	373.60	44.50	234.00
80(90)	192.10	105.40	90.50	89.90	81.00	99.30	430.10	52.00	255.00
100(110)	223.60	128.40	110.60	109.90	99.00	115.20	493.60	62.00	297.00

产品参数 (美标 SCH80) SPECIFICATIONS (ASTM SCH80)

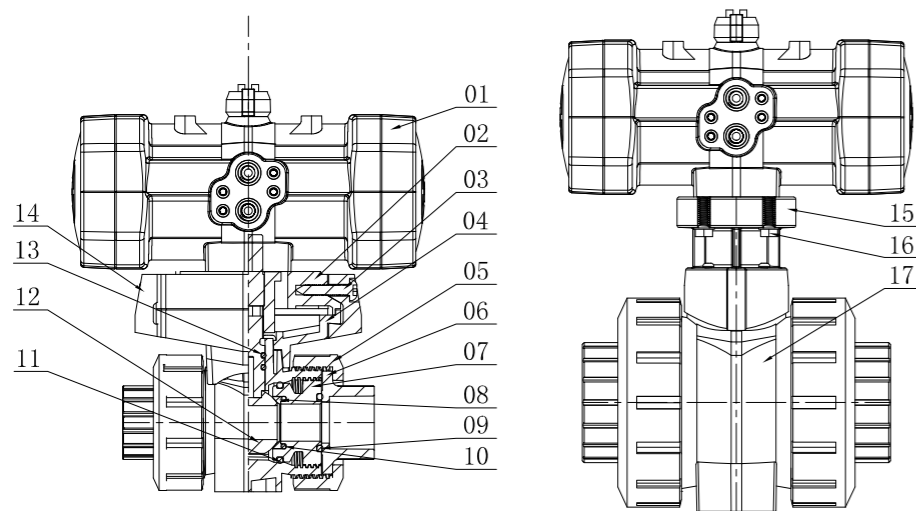
尺寸 Size (*")	外形尺寸 Dimensions (mm)								
	D	d0	d1	d2	d	H1	H	T	L
1/2"	51.50	27.40	21.54	21.23	15.50	26.30	156.50	23.22	107.90
3/4"	59.00	32.70	26.87	26.57	20.50	30.60	194.00	26.40	122.90
1"	70.00	41.30	33.66	33.27	26.00	39.10	210.00	29.57	135.70
1-1/4"	85.40	49.60	42.42	42.04	33.00	44.20	243.40	32.75	158.80
1-1/2"	98.90	60.20	48.56	48.11	39.00	52.20	268.90	32.00	166.80
2"	122.20	76.00	60.63	60.17	51.00	71.30	301.20	39.10	182.80
2-1/2"	158.60	89.60	73.38	72.85	64.00	82.80	373.60	44.50	236.00
3"	192.10	105.40	89.31	88.70	81.00	99.30	430.10	48.60	249.00
4"	223.60	128.40	114.76	114.07	99.00	115.20	493.60	58.15	289.00

产品参数 (日标) SPECIFICATIONS (JIS)

尺寸 Size A	外形尺寸 Dimensions (mm)								
	D0	d0	d1	d2	d	H1	H	T	L
16	51.50	30.50	22.40	21.60	15.50	26.30	156.50	30.00	121.80
20	59.00	34.11	26.45	25.51	20.50	30.60	194.00	35.00	140.60
25	70.00	41.30	32.66	31.50	26.00	39.10	210.00	40.00	157.10
30	85.40	48.16	38.60	37.43	33.00	44.20	243.40	44.00	184.00
40	98.90	59.10	48.85	47.38	39.00	52.20	268.90	55.00	207.20
50	122.20	72.10	61.00	59.27	51.00	71.30	301.20	63.00	235.00
65	158.60	89.23	77.10	75.73	64.00	82.80	373.60	63.00	273.00
75	192.10	105.33	89.60	88.58	81.00	99.30	430.10	64.00	279.00
100	223.60	133.07	114.70	113.55	99.00	115.20	493.60	84.00	342.60

配件明细 PARTS LIST

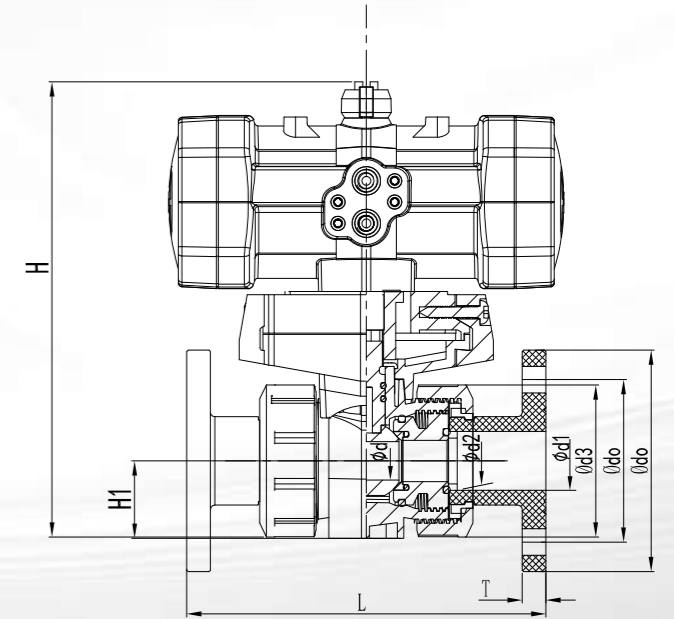
序号 NO.	名称 Name	数量 Quantity	材料 Material
01	气动执行器 Pneumatic Actuator	1	铝合金 / 塑料 Aluminum alloy/plastic
02	连接件上盖 Actuator adaptor top cover	1	PPS+GF40%
03	螺栓 Bolt	2	Stainless steel 304
04	连接件下盖 Actuator adaptor bottom cover	1	PPS+GF40%
05	螺帽 Nut	2	PVC-U/C
06	承口 Faucet	2	PVC-U/C
07	调节单盖 Seal Carrier	1	PVC-U/C
08	止泻圈 Ball Seat	2	PTFE
09	O 型圈 1 O-ring1	2	EPDM/FPM
10	O 型圈 2 O-ring2	2	EPDM/FPM
11	O 型圈 3 O-ring3	1	EPDM/FPM
12	球心 Ball	1	PVC-U/C
13	O 型圈 4 O-ring4	2	EPDM/FPM
14	固定卡扣 Fixed buckle	2	PPS+GF40%
15	连接件 Actuator adaptor	1	PPS+GF40%
16	螺栓 Bolt	4	Stainless steel 304
17	阀体 Body	1	PVC-U/C



工业 PVC-U/C 管材 / 管件 / 阀门

PVC-U/C PNEUMATIC FLANGED TRUE UNION BALL VALVE

气动法兰式双由令球阀, PVC-U/C (国标, 美标, 日标)



产品介绍

阀门描述 Valve Description

- 1. 材质:** PVC -U/C
Material: PVC -U/C
- 2. 尺寸:** DN15-100, 1/2" ~4, 16A~100A
Size: DN15-100, 1/2" ~4, 16A~100A
- 3. 标准:** 国标, 美标, 日标
Standard: DIN,ASTM,JIS,GB/T4219.2
- 4. 连接:** 法兰
Connection: Flanged connection
- 5. 颜色:** 本体: 灰
Color: body: gray
- 6. 全塑气动执行器耐腐蚀**
Whole plastic actuator shell for better corrosion resistance

产品特性 Product Features

- 1. 开关扭力小**
Small switch torque
- 2. 部件可更换, 简单经济**
Replaceable parts, compact and economical
- 3. 材料经过纳米改性, 提高产品的耐压性及抗冲击性**
The material is nano-modified to improve the pressure resistance and impact resistance of the product
- 4. 阀体加厚处理, 抗压性能高**
Thickened valve body for high compression resistance
- 5. 阀门出厂 100% 压力测试**
100% pressure test before delivery
- 6. 可以选配单作用执行器及各种电磁阀, 回讯位置开关**
Optional single-acting actuator and various solenoid valves, position monitoring switch
- 7. 执行器进行 300 万次开启关闭试验**
Actuator passed 3000,000 opening and closing tests

产品参数 (国标 GB/T 4219.2) SPECIFICATIONS (DIN, ISO, GB/T)

尺寸 Size DN(De)	外形尺寸 Dimensions (mm)								
	D0	d0	d1	d2	d	H1	H	T	L
15(20)	95.00	65.00	20.30	19.95	15.50	26.30	178.25	13.00	143.00
20(25)	105.00	75.00	25.30	24.95	20.50	30.60	217.00	14.00	172.00
25(32)	115.00	85.00	32.30	31.90	26.00	39.10	232.50	15.00	187.00
32(40)	140.00	100.00	40.35	39.90	33.00	44.20	270.70	15.00	190.00
40(50)	150.00	110.00	50.35	49.90	39.00	52.20	294.45	17.00	212.00
50(63)	165.00	125.00	63.40	62.90	51.00	71.30	322.60	17.00	234.00
65(75)	185.00	145.00	75.40	74.90	64.00	82.80	386.80	18.00	290.00
80(90)	200.00	160.00	90.50	89.90	81.00	99.30	434.05	18.00	310.00
100(110)	220.00	180.00	110.60	109.90	99.00	115.20	491.80	18.00	372.00

产品参数 (美标 SCH80) SPECIFICATIONS (ASTM SCH80)

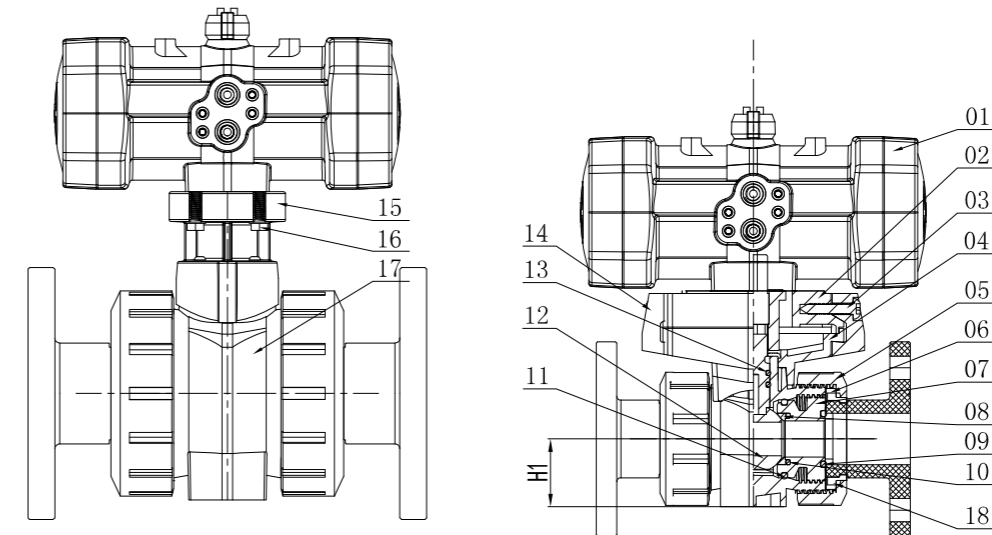
尺寸 Size DN(De)	外形尺寸 Dimensions (mm)									
	D0	d0	d1	d2	d3	d	H1	H	T	L
1/2"	89.00	60.30	20.30	19.95	51.50	15.50	26.30	178.25	13.00	143.00
3/4"	89.00	69.85	25.30	24.95	59.00	20.50	30.60	217.00	14.00	172.00
1"	108.00	79.38	32.30	31.90	70.00	26.00	39.10	232.50	15.00	187.00
1-1/4"	117.00	88.90	40.35	39.90	85.40	33.00	44.20	270.70	15.00	190.00
1-1/2"	127.00	98.43	50.35	49.90	98.90	39.00	52.20	294.45	17.00	212.00
2"	152.00	120.65	63.40	62.90	122.20	51.00	71.30	322.60	17.00	234.00
2-1/2"	178.00	139.70	75.40	74.90	158.60	64.00	82.80	386.80	18.00	290.00
3"	191.00	152.40	90.50	89.90	192.10	81.00	99.30	434.05	18.00	310.00
4"	229.00	190.50	110.60	109.90	223.60	99.00	115.20	491.80	18.00	372.00

产品参数 (日标) SPECIFICATIONS (JIS)

尺寸 Size DN(De)	外形尺寸 Dimensions (mm)									
	D0	d0	d1	d2	d3	d	H1	H	T	L
16A	95.00	70.00	22.40	19.95	51.50	15.00	26.30	178.25	15.00	145.00
20A	100.00	75.00	26.45	24.95	59.00	20.00	30.60	217.00	15.00	175.00
25A	125.00	90.00	32.55	31.90	70.00	25.00	39.10	232.50	15.00	190.00
30A	135.00	100.00	38.60	39.90	85.40	30.00	44.20	270.70	16.00	195.00
40A	140.00	105.00	48.70	49.90	98.90	40.00	52.20	294.45	17.00	220.00
50A	155.00	120.00	60.80	62.90	122.20	50.00	71.30	322.60	21.00	234.00
65A	175.00	140.00	76.80	74.90	158.60	63.00	82.80	386.80	22.00	300.00
75A	185.00	150.00	89.60	89.90	192.10	80.00	99.30	434.05	22.00	320.00
100A	210.00	175.00	114.70	109.90	223.60	100.00	115.20	491.80	22.00	387.00

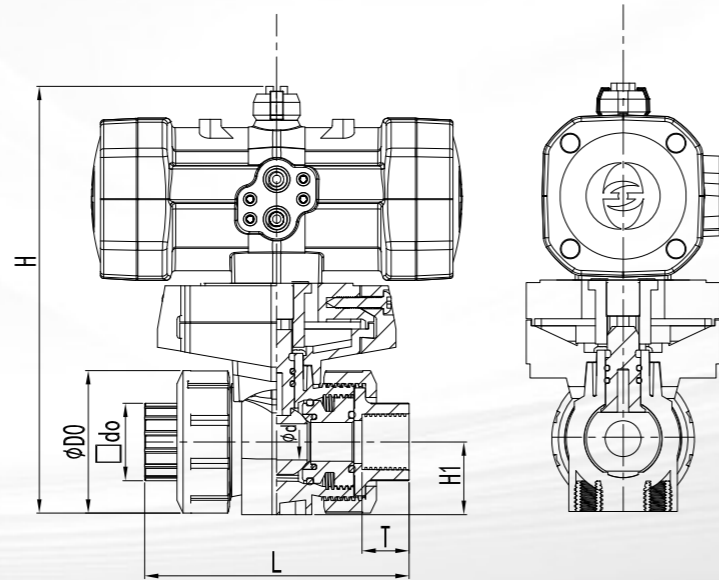
配件明细 PARTS LIST

序号 NO.	名称 Name	数量 Quantity	材料 Material
01	气动执行器 Pneumatic Actuator	1	铝合金 / 塑料 Aluminium alloy/Plastic
02	连接件上盖 Actuator adaptor top cover	1	PPS+GF40%
03	螺栓 Bolt	2	Stainless steel 304
04	连接件下盖 Actuator adaptor bottom cover	1	PPS+GF40%
05	螺帽 Nut	2	PVC-U/C
06	法兰头 Flange	2	PVC-U/C
07	调节单盖 Seal Carrier	1	PVC-U/C
08	止泻圈 Ball Seat	2	PTFE
09	O型圈 1 O-ring1	2	EPDM/FPM
10	O型圈 2 O-ring2	2	EPDM/FPM
11	O型圈 3 O-ring3	1	EPDM/FPM
12	球心 Ball	1	PVC-U/C
13	O型圈 4 O-ring4	2	EPDM/FPM
14	固定卡扣 Fixed buckle	2	PPS+GF40%
15	连接件 Actuator adaptor	1	PPS+GF40%
16	螺栓 Bolt	4	Stainless steel 304
17	阀体 Body	1	PVC-U/C
18	卡环 Snap ring	2	PVC-U/C



PVC-U/C PNEUMATIC THREADED TRUE UNION BALL VALVE

气动丝口式双由令球阀, PVC-U/C (国标, 美标, 日标)



产品介绍

阀门描述 Valve Description

1. 材质: PVC -U/C
Material: PVC -U/C
2. 尺寸: DN15-100, 1/2" ~4, 16A~100A
Size: DN15-100, 1/2" ~4, 16A~100A
3. 标准: 国标, 美标, 日标
Standard: DIN, ASTM, JIS, GB/T4219.2
4. 连接: 法兰
Connection: Threaded connection
5. 颜色: 本体: 灰
Color: body: gray
6. 全塑气动执行器耐腐蚀
Whole plastic actuator shell for better corrosion resistance

产品特性 Product Features

1. 开关扭力小
Small switch torque
2. 部件可更换, 简单经济
Replaceable parts, compact and economical
3. 材料经过纳米改性, 提高产品的耐压性及抗冲击性
The material is nano-modified to improve the pressure resistance and impact resistance of the product
4. 阀体加厚处理, 抗压性能高
Thickened valve body for high compression resistance
5. 阀门出厂 100% 压力测试
100% pressure test before delivery
6. 执行器进行 300 万次开启关闭试验
Actuator passed 3000,000 opening and closing tests
7. 可以选配单作用执行器及各种电磁阀, 回讯位置开关
Optional single-acting actuator and various solenoid valves, position monitoring switch

产品参数 (国标 GB/T 4219.2) SPECIFICATIONS (DIN, ISO, GB/T)

尺寸 Size DN(De)	外形尺寸 Dimensions (mm)								
	D0	d0	d1	d2	d	H1	H	T	L
15(20)	51.50	30.43	20.95	18.63	15.50	26.30	156.50	17.00	95.50
20(25)	59.00	36.30	26.44	24.12	20.50	30.60	194.00	19.50	109.10
25(32)	70.00	44.61	33.25	30.29	26.00	39.10	210.00	23.00	122.60
32(40)	85.40	53.87	41.91	38.95	33.00	44.20	243.40	27.00	147.30
40(50)	98.90	61.12	47.80	44.85	39.00	52.20	268.90	32.00	158.80
50(63)	122.20	73.83	59.61	56.66	51.00	71.30	301.20	38.50	182.80
65(75)	158.60	87.71	75.18	74.23	64.00	82.80	373.60	44.50	234.00
80(90)	192.10	106.81	87.88	84.93	81.00	99.30	430.10	52.00	255.00
100(110)	223.60	133.46	113.03	110.07	99.00	115.20	493.60	62.00	297.00

产品参数 (美标 SCH80) SPECIFICATIONS (ASTM SCH80)

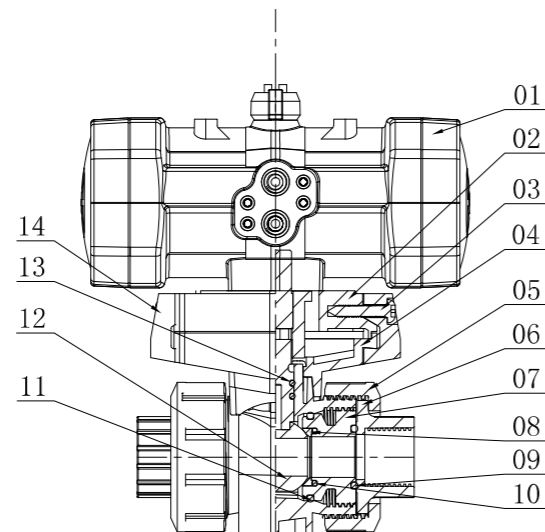
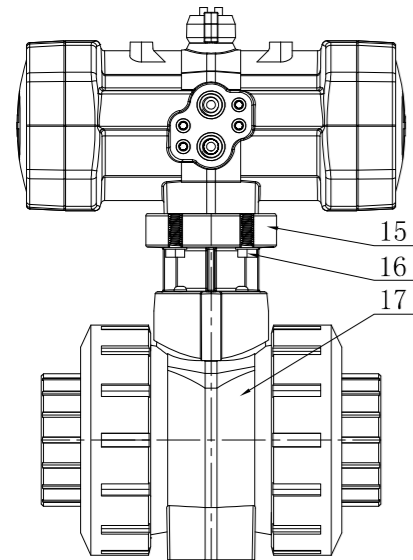
尺寸 Size (*")	外形尺寸 Dimensions (mm)								
	D	d0	d1	d2	d	H1	H	T	L
1/2"	51.50	30.43	20.95	18.63	15.50	26.30	156.50	17.00	95.50
3/4"	59.00	36.30	26.44	24.12	20.50	30.60	194.00	19.50	109.10
1"	70.00	44.61	33.25	30.29	26.00	39.10	210.00	23.00	122.60
1-1/4"	85.40	53.87	41.91	38.95	33.00	44.20	243.40	27.00	147.30
1-1/2"	98.90	61.12	47.80	44.85	39.00	52.20	268.90	32.00	158.80
2"	122.20	73.83	59.61	56.66	51.00	71.30	301.20	38.50	182.80
2-1/2"	158.60	87.71	75.18	74.23	64.00	82.80	373.60	44.50	234.00
3"	192.10	106.81	87.88	84.93	81.00	99.30	430.10	52.00	255.00
4"	223.60	133.46	113.03	110.07	99.00	115.20	493.60	62.00	297.00

产品参数 (日标) SPECIFICATIONS (JIS)

尺寸 Size A	外形尺寸 Dimensions (mm)								
	D0	d0	d1	d2	d	H1	H	T	L
16	51.50	30.43	20.95	18.63	15.50	26.30	156.50	17.00	95.50
20	59.00	36.30	26.44	24.12	20.50	30.60	194.00	19.50	109.10
25	70.00	44.61	33.25	30.29	26.00	39.10	210.00	23.00	122.60
30	85.40	53.87	41.91	38.95	33.00	44.20	243.40	27.00	147.30
40	98.90	61.12	47.80	44.85	39.00	52.20	268.90	32.00	158.80
50	122.20	73.83	59.61	56.66	51.00	71.30	301.20	38.50	182.80
65	158.60	87.71	75.18	74.23	64.00	82.80	373.60	44.50	234.00
75	192.10	106.81	87.88	84.93	81.00	99.30	430.10	52.00	255.00
100	223.60	133.46	113.03	110.07	99.00	115.20	493.60	62.00	297.00

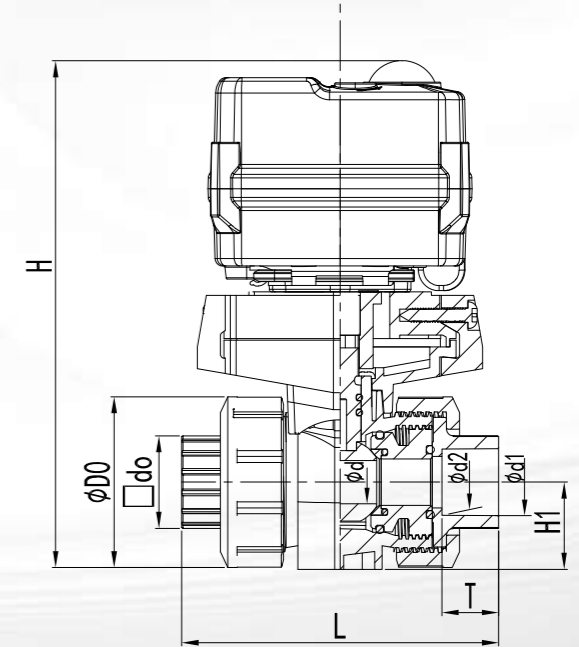
配件明细 PARTS LIST

序号 NO.	名称 Name	数量 Quantity	材料 Material
01	气动执行器 Pneumatic Actuator	1	铝合金 / 塑料 Aluminum alloy/plastic
02	连接件上盖 Actuator adaptor top cover	1	PPS+GF40%
03	螺栓 Bolt	2	Stainless steel 304
04	连接件下盖 Actuator adaptor bottom cover	1	PPS+GF40%
05	螺帽 Nut	2	PVC-U/C
06	承口 Faucet	2	PVC-U/C
07	调节单盖 Seal Carrier	1	PVC-U/C
08	止泻圈 Ball Seat	2	PTFE
09	O 型圈 1 O-ring1	2	EPDM/FPM
10	O 型圈 2 O-ring2	2	EPDM/FPM
11	O 型圈 3 O-ring3	1	EPDM/FPM
12	球心 Ball	1	PVC-U/C
13	O 型圈 4 O-ring4	2	EPDM/FPM
14	固定卡扣 Fixed buckle	2	PPS+GF40%
15	连接件 Actuator adaptor	1	PPS+GF40%
16	螺栓 Bolt	4	Stainless steel 304
17	阀体 Body	1	PVC-U/C



PVC-U/C
ELECTRIC SOCKET TRUE UNION BALL VALVE

电动插口式双由令球阀, PVC-U/C (国标, 美标, 日标)



产品介绍

阀门描述
Valve Description

1. 材质: PVC -U/C
Material: PVC -U/C
2. 尺寸: DN15-100 1/2" -4" 16A-100A
Size: DN15-100 1/2" -4" 16A-100A
3. 标准: 国标, 美标, 日标
Standard: DIN,ASTM,JIS,GB/T4219.2
4. 连接: 插口
Connection: socket
5. 颜色: 本体: 灰
Color: body: gray
6. 全塑气动执行器耐腐蚀
Whole plastic actuator shell for better corrosion resistance

产品特性
Product Features

1. 开关扭力小
Small switch torque
2. 部件可更换, 简单经济
Replaceable parts, compact and economical
3. 材料经过纳米改性, 提高产品的耐压性及抗冲击性
The material is nano-modified to improve the pressure resistance and impact resistance of the product
4. 阀体加厚处理, 抗压性能高
Thickened valve body for high compression resistance
5. 阀门出厂 100% 压力测试
100% pressure test before delivery
6. 可以选配调节型, 防爆及各种不同电压执行器
Optional adjustment, explosion-proof and various voltage actuators

产品参数 (国标 GB/T 4219.2) SPECIFICATIONS (DIN, ISO, GB/T)

尺寸 Size DN(De)	外形尺寸 Dimensions (mm)								
	Do	d0	d1	d2	d	H1	H	T	L
15(20)	51.50	27.40	20.30	19.95	15.50	26.30	201.50	17.00	95.50
20(25)	59.00	32.70	25.30	24.95	20.50	30.60	209.00	19.50	109.10
25(32)	70.00	41.30	32.30	31.90	26.00	39.10	220.00	23.00	122.60
32(40)	85.40	49.60	40.35	39.90	33.00	44.20	235.40	27.00	147.30
40(50)	98.90	60.20	50.35	49.90	39.00	52.20	248.90	32.00	158.80
50(63)	122.20	76.00	63.40	62.90	51.00	71.30	272.20	38.50	182.80
65(75)	158.60	89.60	75.40	74.90	64.00	82.80	353.60	44.50	234.00
80(90)	192.10	105.40	90.50	89.90	81.00	99.30	397.10	52.00	255.00
100(110)	223.60	128.40	110.60	109.90	99.00	115.20	438.60	62.00	297.00

产品参数 (美标 SCH80) SPECIFICATIONS (ASTM SCH80)

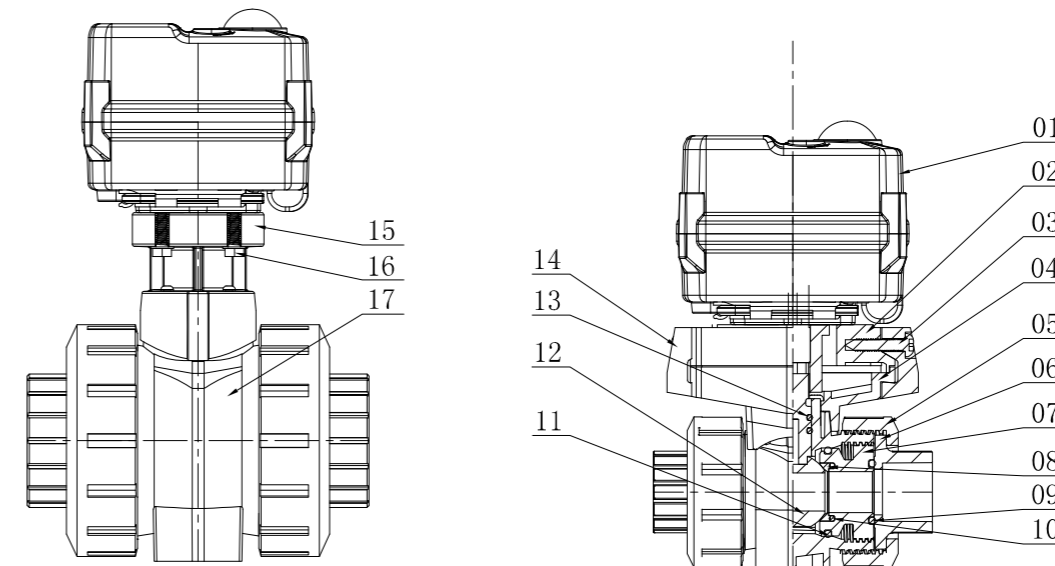
尺寸 Size (*")	外形尺寸 Dimensions (mm)								
	Do	d0	d1	d2	d	H1	H	T	L
1/2"	51.50	27.40	21.54	21.23	15.50	26.30	201.50	23.22	107.90
3/4"	59.00	32.70	26.87	26.57	20.50	30.60	209.00	26.40	122.90
1"	70.00	41.30	33.66	33.27	26.00	39.10	220.00	29.57	135.70
1-1/4"	85.40	49.60	42.42	42.04	33.00	44.20	235.40	32.75	158.80
1-1/2"	98.90	60.20	48.56	48.11	39.00	52.20	248.90	32.00	166.80
2"	122.20	76.00	60.63	60.17	51.00	71.30	272.20	39.10	182.80
2-1/2"	158.60	89.60	73.38	72.85	64.00	82.80	353.60	44.50	236.00
3"	192.10	105.40	89.31	88.70	81.00	99.30	397.10	48.60	249.00
4"	223.60	128.40	114.76	114.07	99.00	115.20	438.60	58.15	289.00

产品参数 (日标) SPECIFICATIONS (JIS)

尺寸 Size A	外形尺寸 Dimensions (mm)								
	Do	d0	d1	d2	d	H1	H	T	L
16	51.50	30.50	22.40	21.60	15.50	26.30	201.50	30.00	121.80
20	59.00	34.11	26.45	25.51	20.50	30.60	209.00	35.00	140.60
25	70.00	41.30	32.66	31.50	26.00	39.10	220.00	40.00	157.10
30	85.40	48.16	38.60	37.43	33.00	44.20	235.40	44.00	184.00
40	98.90	59.10	48.85	47.38	39.00	52.20	248.90	55.00	207.20
50	122.20	72.10	61.00	59.27	51.00	71.30	272.20	63.00	235.00
65	158.60	89.23	77.10	75.73	64.00	82.80	353.60	63.00	273.00
75	192.10	105.33	89.60	88.58	81.00	99.30	397.10	64.00	279.00
100	223.60	133.07	114.70	113.55	99.00	115.20	438.60	84.00	342.60

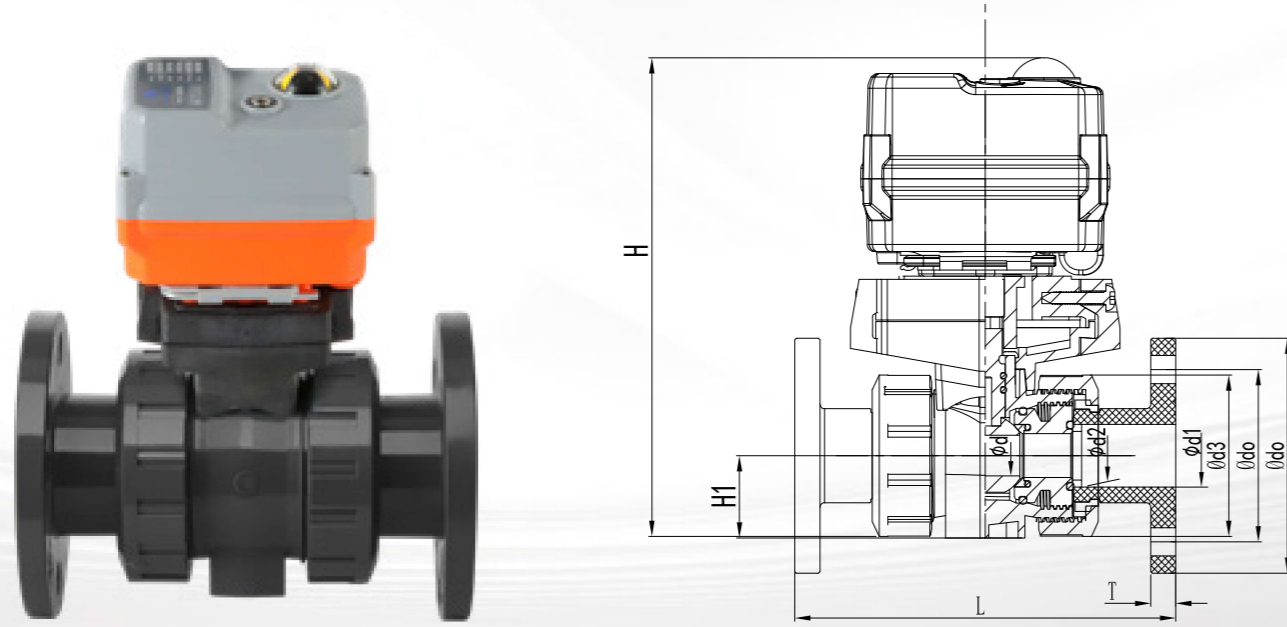
配件明细 PARTS LIST

序号 NO.	名称 Name	数量 Quantity	材料 Material
01	电动执行器 Electric Actuator	1	铝合金 / 塑料 Aluminum alloy/plastic
02	连接件上盖 Actuator adaptor top cover	1	PPS+GF40%
03	螺栓 Bolt	2	Stainless steel 304
04	连接件下盖 Actuator adaptor bottom cover	1	PPS+GF40%
05	螺帽 Nut	2	PVC-U/C
06	承口 Faucet	2	PVC-U/C
07	调节单盖 Seal Carrier	1	PVC-U/C
08	止泻圈 Ball Seat	2	PTFE
09	O 型圈 1 O-ring1	2	EPDM/FPM
10	O 型圈 2 O-ring2	2	EPDM/FPM
11	O 型圈 3 O-ring3	1	EPDM/FPM
12	球心 Ball	1	PVC-U/C
13	O 型圈 4 O-ring4	2	EPDM/FPM
14	固定卡扣 Fixed buckle	2	PPS+GF40%
15	连接件 Actuator adaptor	1	PPS+GF40%
16	螺栓 Bolt	4	Stainless steel 304
17	阀体 Body	1	PVC-U/C



PVC-U/C ELECTRIC FLANGED TRUE UNION BALL VALVE

电动法兰式双由令球阀, PVC-U/C (国标, 美标, 日标)



产品介绍

阀门描述 Valve Description

1. 材质: PVC -U/C
Material: PVC -U/C
2. 尺寸: DN15-100 1/2" -4" 16A-100A
Size: DN15-100 1/2" -4" 16A-100A
3. 标准: 国标, 美标, 日标
Standard: DIN, ASTM, JIS, GB/T4219.2
4. 连接: 法兰
Connection: Flanged connection
5. 颜色: 本体: 灰
Color: body: gray
6. 全塑气动执行器耐腐蚀
Whole plastic actuator shell for better corrosion resistance

产品特性 Product Features

1. 开关扭力小
Small switch torque
2. 部件可更换, 简单经济
Replaceable parts, compact and economical
3. 材料经过纳米改性, 提高产品的耐压性及抗冲击性
The material is nano-modified to improve the pressure resistance and impact resistance of the product
4. 阀体加厚处理, 抗压性能高
Thickened valve body for high compression resistance
5. 阀门出厂 100% 压力测试
100% pressure test before delivery
6. 可以选配调节型, 防爆及各种不同电压执行器
Optional adjustment, explosion-proof and various voltage actuators

产品参数 (国标 GB/T 4219.2) SPECIFICATIONS (DIN, ISO, GB/T)

尺寸 Size DN(De)	外形尺寸 Dimensions (mm)								
	D0	d0	d1	d2	d	H1	H	T	L
15(20)	95.00	65.00	20.30	19.95	15.50	26.30	223.25	13.00	143.00
20(25)	105.00	75.00	25.30	24.95	20.50	30.60	232.00	14.00	172.00
25(32)	115.00	85.00	32.30	31.90	26.00	39.10	242.50	15.00	187.00
32(40)	140.00	100.00	40.35	39.90	33.00	44.20	262.70	15.00	190.00
40(50)	150.00	110.00	50.35	49.90	39.00	52.20	274.45	17.00	212.00
50(63)	165.00	125.00	63.40	62.90	51.00	71.30	293.60	17.00	234.00
65(75)	185.00	145.00	75.40	74.90	64.00	82.80	366.80	18.00	290.00
80(90)	200.00	160.00	90.50	89.90	81.00	99.30	401.05	18.00	310.00
100(110)	220.00	180.00	110.60	109.90	99.00	115.20	436.80	18.00	372.00

产品参数 (美标 SCH80) SPECIFICATIONS (ASTM SCH80)

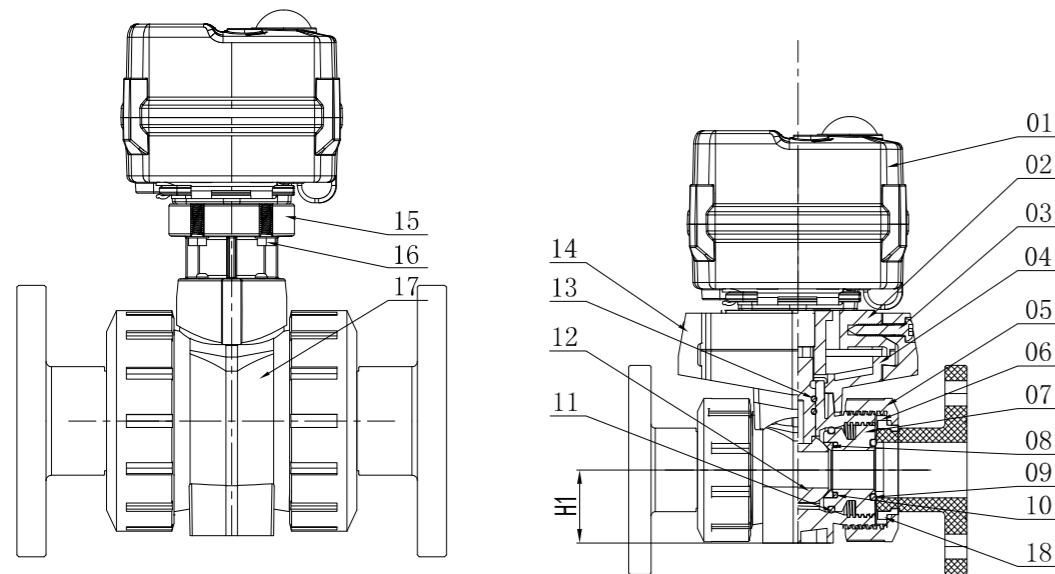
尺寸 Size (*")	外形尺寸 Dimensions (mm)								
	D0	d0	d1	d2	d	H1	H	T	L
1/2"	89.00	60.30	20.30	19.95	15.50	26.30	223.15	13.00	143.00
3/4"	89.00	69.85	25.30	24.95	20.50	30.60	232.00	14.00	172.00
1"	108.00	79.38	32.30	31.90	26.00	39.10	242.50	15.00	187.00
1-1/4"	117.00	88.90	40.35	39.90	33.00	44.20	262.70	15.00	190.00
1-1/2"	127.00	98.43	50.35	49.90	39.00	52.20	274.45	17.00	212.00
2"	152.00	120.65	63.40	62.90	51.00	71.30	293.60	17.00	234.00
2-1/2"	178.00	139.70	75.40	74.90	64.00	82.80	366.80	18.00	290.00
3"	191.00	152.40	90.50	89.90	81.00	99.30	401.05	18.00	310.00
4"	229.00	190.50	110.60	109.90	99.00	115.20	436.80	18.00	372.00

产品参数 (日标) SPECIFICATIONS (JIS)

尺寸 Size A	外形尺寸 Dimensions (mm)								
	D0	d0	d1	d2	d	H1	H	T	L
16A	95.00	70.00	22.40	19.95	15.00	26.30	223.15	15.00	145.00
20A	100.00	75.00	26.45	24.95	20.00	30.60	232.00	15.00	175.00
25A	125.00	90.00	32.55	31.90	25.00	39.10	242.50	15.00	190.00
30A	135.00	100.00	38.60	39.90	30.00	44.20	262.70	16.00	195.00
40A	140.00	105.00	48.70	49.90	40.00	52.20	274.45	17.00	220.00
50A	155.00	120.00	60.80	62.90	50.00	71.30	293.60	21.00	234.00
65A	175.00	140.00	76.80	74.90	63.00	82.80	366.80	22.00	300.00
75A	185.00	150.00	89.60	89.90	80.00	99.30	401.05	22.00	320.00
100A	210.00	175.00	114.70	109.90	100.00	115.20	436.80	22.00	387.00

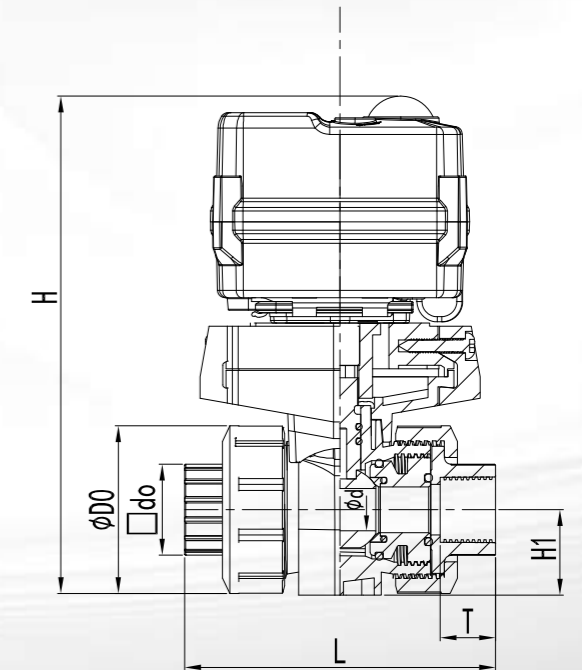
配件明细 PARTS LIST

序号 NO.	名称 Name	数量 Quantity	材料 Material
01	电动执行器 Electric Actuator	1	铝合金 / 塑料 Aluminum alloy/plastic
02	连接件上盖 Actuator adaptor top cover	1	PPS+GF40%
03	螺栓 Bolt	2	Stainless steel 304
04	连接件下盖 Actuator adaptor bottom cover	1	PPS+GF40%
05	螺帽 Nut	2	PVC-U/C
06	法兰头 Flange	2	PVC-U/C
07	调节单盖 Seal Carrier	1	PVC-U/C
08	止泻圈 Ball Seat	2	PTFE
09	O 型圈 1 O-ring1	2	EPDM/FPM
10	O 型圈 2 O-ring2	2	EPDM/FPM
11	O 型圈 3 O-ring3	1	EPDM/FPM
12	球心 Ball	1	PVC-U/C
13	O 型圈 4 O-ring4	2	EPDM/FPM
14	固定卡扣 Fixed buckle	2	PPS+GF40%
15	连接件 Actuator adaptor	1	PPS+GF40%
16	螺栓 Bolt	4	Stainless steel 304
17	阀体 Body	1	PVC-U/C
18	卡环 Snap ring	2	PVC-U/C



PVC-U/C ELECTRIC THREADED TRUE UNION BALL VALVE

电动丝口式双由令球阀, PVC-U/C (国标, 美标, 日标)



产品介绍

阀门描述 Valve Description

1. 材质: PVC -U/C
Material: PVC -U/C
2. 尺寸: DN15-100 1/2" -4" 16A-100A
Size: DN15-100 1/2" -4" 16A-100A
3. 标准: 国标, 美标, 日标
Standard: DIN,ASTM,JIS,GB/T4219.2
4. 连接: 丝口
Connection: Threaded connection
5. 颜色: 本体: 灰
Color: body: gray
6. 全塑气动执行器耐腐蚀
Whole plastic actuator shell for better corrosion resistance

产品特性 Product Features

1. 开关扭力小
Small switch torque
2. 部件可更换, 简单经济
Replaceable parts, compact and economical
3. 材料经过纳米改性, 提高产品的耐压性及抗冲击性
The material is nano-modified to improve the pressure resistance and impact resistance of the product
4. 阀体加厚处理, 抗压性能高
Thickened valve body for high compression resistance
5. 阀门出厂 100% 压力测试
100% pressure test before delivery
6. 可以选配调节型, 防爆及各种不同电压执行器
Optional adjustment, explosion-proof and various voltage actuators

产品参数 (国标 GB/T 4219.2) SPECIFICATIONS (DIN, ISO, GB/T)

尺寸 Size DN(De)	外形尺寸 Dimensions (mm)								
	Do	d0	d1	d2	d	H1	H	T	L
15(20)	51.50	30.43	20.95	18.63	15.50	26.30	201.50	17.00	95.50
20(25)	59.00	36.30	26.44	24.12	20.50	30.60	209.00	19.50	109.10
25(32)	70.00	44.61	33.25	30.29	26.00	39.10	220.00	23.00	122.60
32(40)	85.40	53.87	41.91	38.95	33.00	44.20	235.40	27.00	147.30
40(50)	98.90	61.12	47.80	44.85	39.00	52.20	248.90	32.00	158.80
50(63)	122.20	73.83	59.61	56.66	51.00	71.30	272.20	38.50	182.80
65(75)	158.60	87.71	75.18	74.23	64.00	82.80	353.60	44.50	234.00
80(90)	192.10	106.81	87.88	84.93	81.00	99.30	397.10	52.00	255.00
100(110)	223.60	133.46	113.03	110.07	99.00	115.20	438.60	62.00	297.00

产品参数 (美标 SCH80) SPECIFICATIONS (ASTM SCH80)

尺寸 Size (*")	外形尺寸 Dimensions (mm)								
	Do	d0	d1	d2	d	H1	H	T	L
1/2"	51.50	30.43	20.95	18.63	15.50	26.30	201.50	17.00	95.50
3/4"	59.00	36.30	26.44	24.12	20.50	30.60	209.00	19.50	109.10
1"	70.00	44.61	33.25	30.29	26.00	39.10	220.00	23.00	122.60
1-1/4"	85.40	53.87	41.91	38.95	33.00	44.20	235.40	27.00	147.30
1-1/2"	98.90	61.12	47.80	44.85	39.00	52.20	248.90	32.00	158.80
2"	122.20	73.83	59.61	56.66	51.00	71.30	272.20	38.50	182.80
2-1/2"	158.60	87.71	75.18	74.23	64.00	82.80	353.60	44.50	234.00
3"	192.10	106.81	87.88	84.93	81.00	99.30	397.10	52.00	255.00
4"	223.60	133.46	113.03	110.07	99.00	115.20	438.60	62.00	297.00

产品参数 (日标) SPECIFICATIONS (JIS)

尺寸 Size A	外形尺寸 Dimensions (mm)								
	Do	d0	d1	d2	d	H1	H	T	L
16	51.50	30.43	20.95	18.63	15.50	26.30	201.50	17.00	95.50
20	59.00	36.30	26.44	24.12	20.50	30.60	209.00	19.50	109.10
25	70.00	44.61	33.25	30.29	26.00	39.10	220.00	23.00	122.60
30	85.40	53.87	41.91	38.95	33.00	44.20	235.40	27.00	147.30
40	98.90	61.12	47.80	44.85	39.00	52.20	248.90	32.00	158.80
50	122.20	73.83	59.61	56.66	51.00	71.30	272.20	38.50	182.80
65	158.60	87.71	75.18	74.23	64.00	82.80	353.60	44.50	234.00
75	192.10	106.81	87.88	84.93	81.00	99.30	397.10	52.00	255.00
100	223.60	133.46	113.03	110.07	99.00	115.20	438.60	62.00	297.00

配件明细 PARTS LIST

序号 NO.	名称 Name	数量 Quantity	材料 Material
01	电动执行器 Electric Actuator	1	铝合金 / 塑料 Aluminum alloy/plastic
02	连接件上盖 Actuator adaptor top cover	1	PPS+GF40%
03	螺栓 Bolt	2	Stainless steel 304
04	连接件下盖 Actuator adaptor bottom cover	1	PPS+GF40%
05	螺帽 Nut	2	PVC-U/C
06	承口 Faucet	2	PVC-U/C
07	调节单盖 Seal Carrier	1	PVC-U/C
08	止泻圈 Ball Seat	2	PTFE
09	O型圈 1 O-ring1	2	EPDM/FPM
10	O型圈 2 O-ring2	2	EPDM/FPM
11	O型圈 3 O-ring3	1	EPDM/FPM
12	球心 Ball	1	PVC-U/C
13	O型圈 4 O-ring4	2	EPDM/FPM
14	固定卡扣 Fixed buckle	2	PPS+GF40%
15	连接件 Actuator adaptor	1	PPS+GF40%
16	螺栓 Bolt	4	Stainless steel 304
17	阀体 Body	1	PVC-U/C

